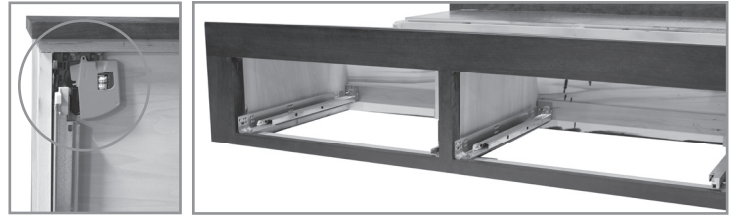


UNDER-BED STORAGE



STEP 1: Remove the drawers for easier handling. Simply pull out the drawer and push in the orange catch on either side of the underside of the drawer box to release the box from its track.

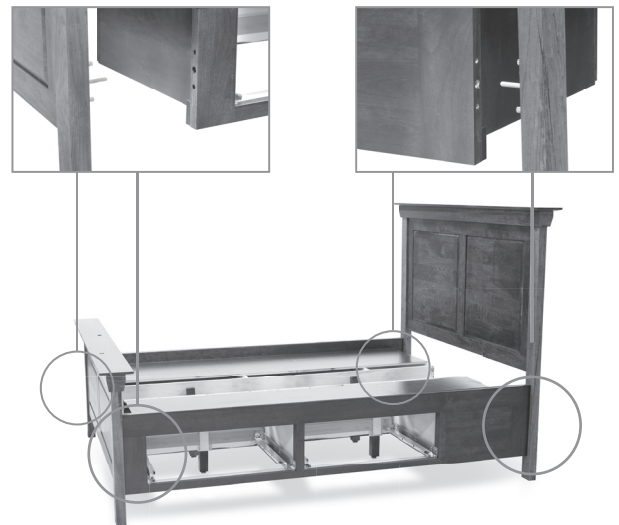


STEP 2: Fasten the legs to the back of the unit. The back of the unit has threaded T-Nuts within the holes. Slide the bolt through the leg and thread the bolts into the T-nuts. **TO AVOID DAMAGE, DO NOT** put the legs on the inside of the unit.



STEP 3: Thread bolts and place dowels into the headboard and footboard.

Have someone assist as you slide the headboard and footboard together.



STEP 4: Once the headboard and footboard are on, slide the curved washer in place (as shown) and tighten the nut with the wrench provided.

Fasten the bolts as your bed hardware instructions show.



STEP 5: Lay the center platform in and extend the drawer slides. Place the drawers onto the slides and slide them into place. The slides should catch when the drawer is fully closed.

NOTE: The legs have threaded glides to help level the unit as needed.

